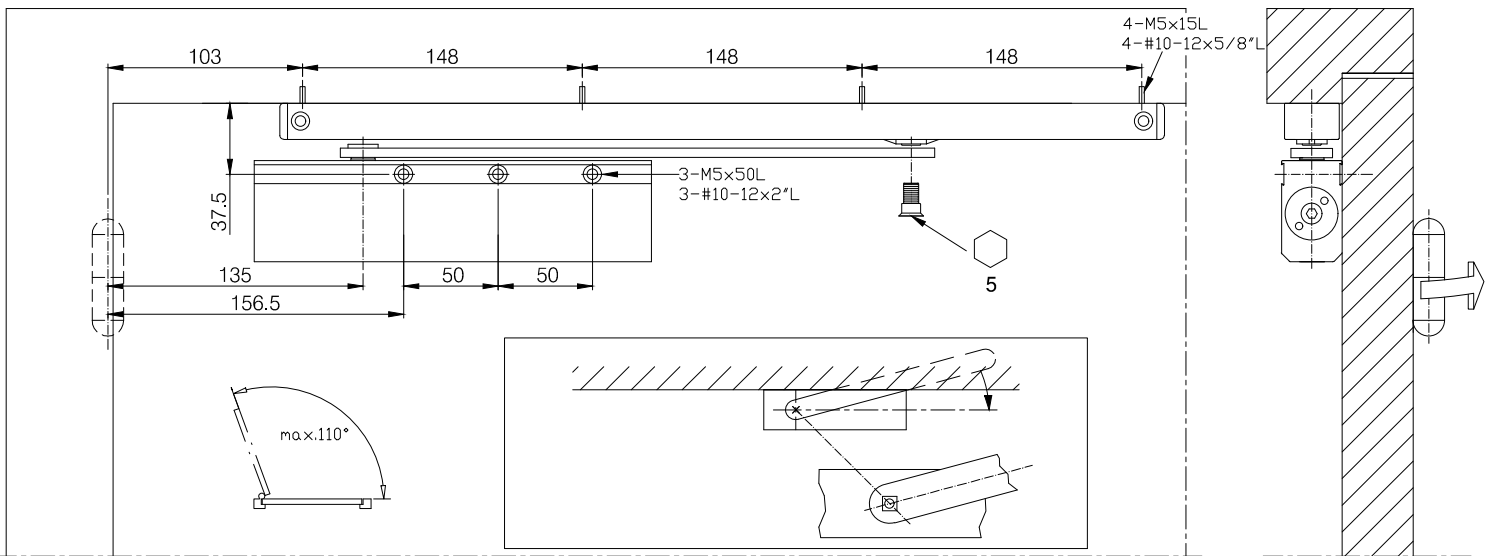
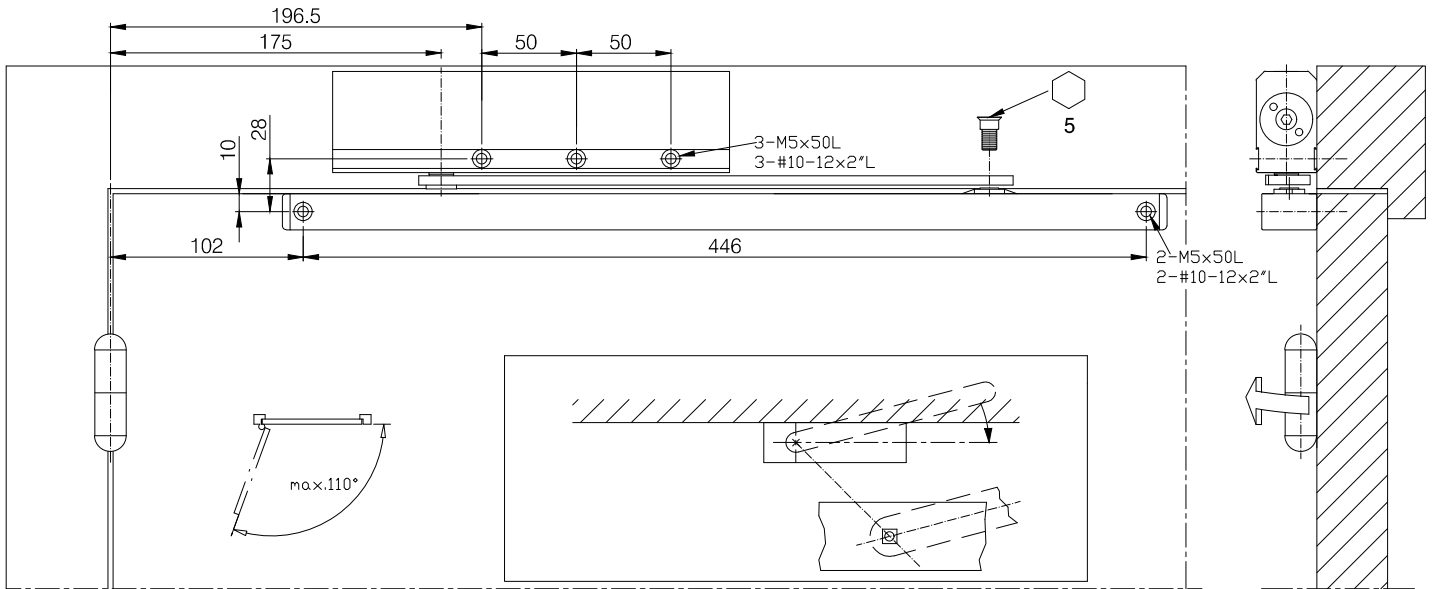
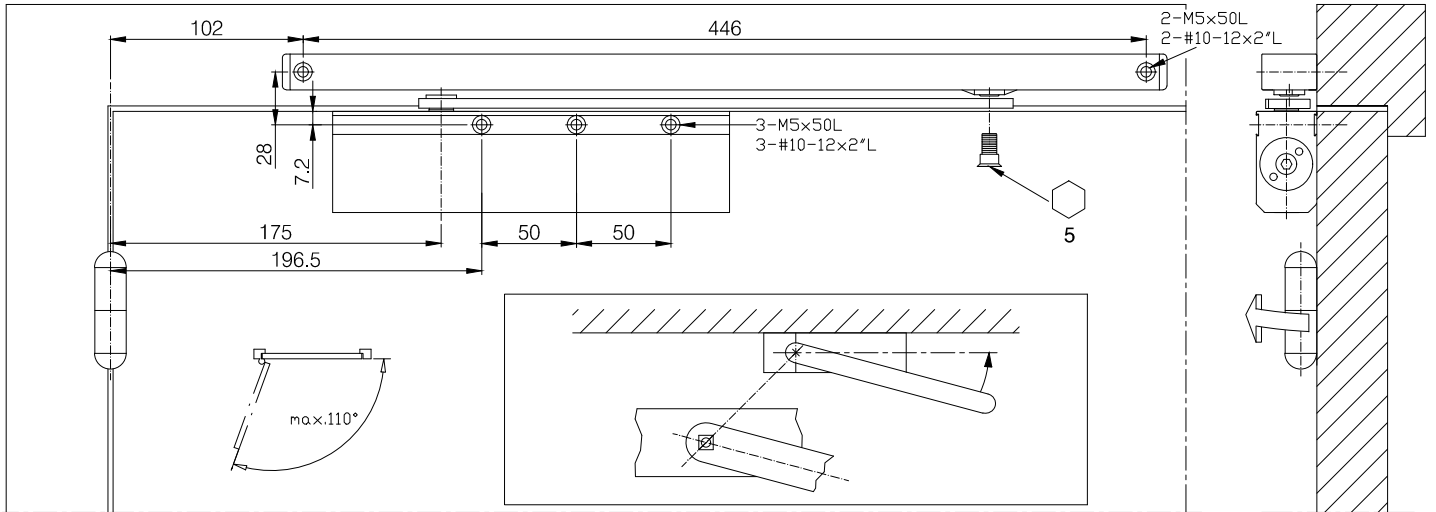


38 -1

Surface Mounting door closer
power adjustable #2 - #4



Power adjustment

* : FACTORY PRE-SET

2-4 MODEL		
NO. OF TURNS	DIRECTION	SIZE
4	-	2
0	*	3
6	+	4